

- Back
 - o PushPull Power
 - o Flat Cable Connectors SEK
 - o *har-mik®*
 - o D-Sub
 - o InduCom

- Applications

Product details

09 02 064 3214 Cable connector

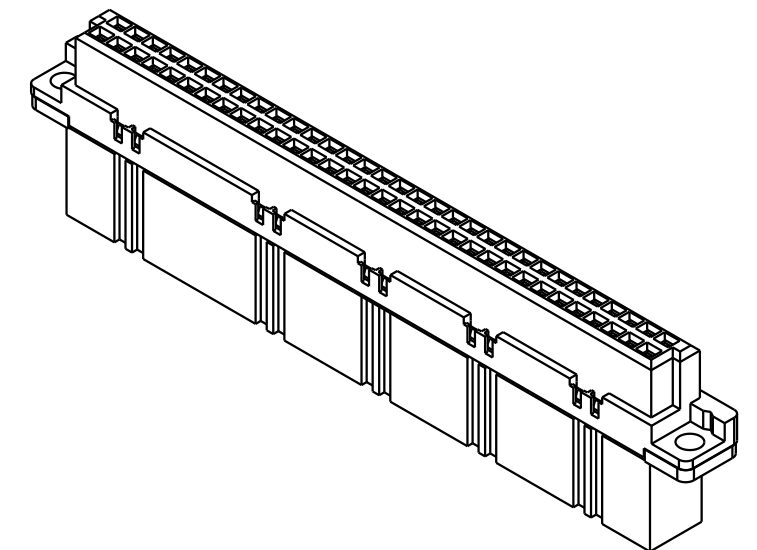
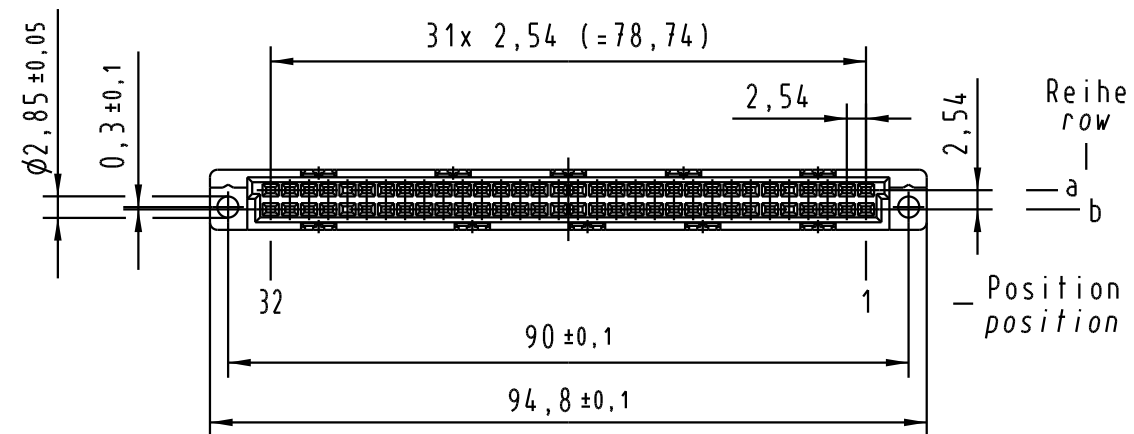
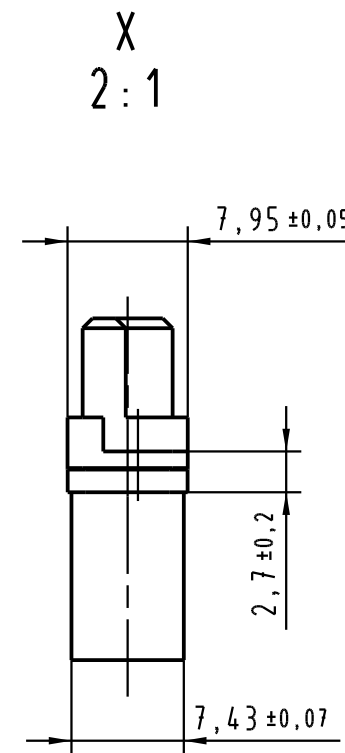
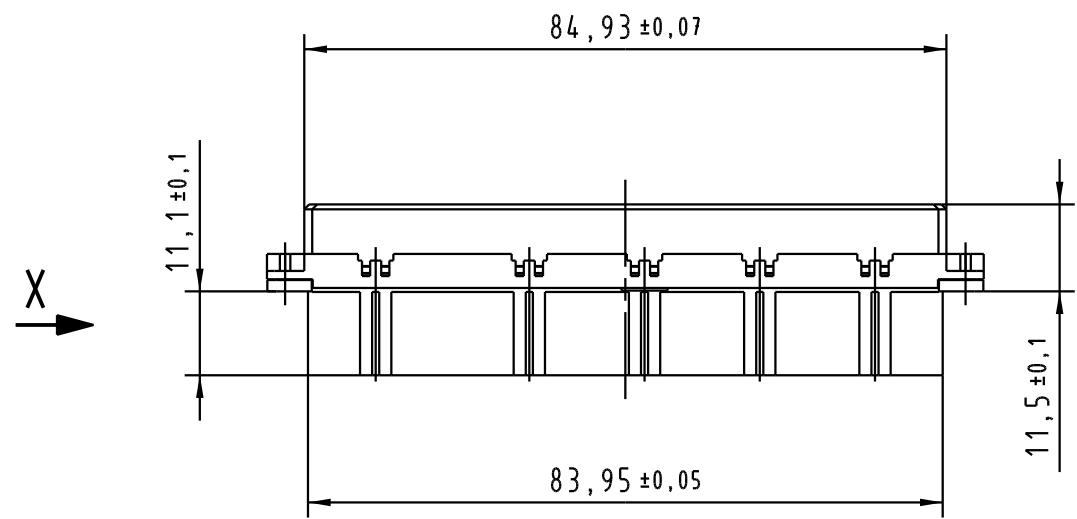
Type	Type B
Standard/Inverse	Standard
Contact gender	Female contacts
Size	Whole size
Number of contacts	64 poles
Contact arrangement	Rows a and b
Termination	Crimp contacts
Performance Class	none
Contacts	Order contacts separately
Current	2 A max.
Clearance/ Creepage	1.2 / 1.2 mm min.
RoHS compliant	Yes



[Inquiry](#)

Available Downloads

Title	Format
-------	--------

Alle Rechte vorbehalten. All rights reserved



 All Dimensions in mm Original Size DIN A 3		Techn. Character. ergänzend/complementary IEC 60603-2		Nicht tolerierte Maß/Free size tolerances ergänzend/complementary IEC 60603-2	
			Dat.	Name	Maßstab/Scale 1:1 (2:1)
			Detail.	21.11.05 Leh.	
			Insp.	21.11.05 kfoe.	
			Stand.		
33119			HARTING Electronics GmbH & Co. KG		
Mod.	Dat.	Name	D-32339 ESPELKAMP		
TB 09 02 064 3214					Blatt/page 